



### High Performance



Large power capacity, with a fast charging and continuous discharge power, creating an efficient round-trip conversion.

### Consistent Reliability



The advanced Lithium Ferrite Phosphate (LFP) technology operates a wider temperature range to provide the most dependable performance.

### Superior Safety



Manufactured at the highest standards. LFP is proven to be one of the safest Lithium technologies in the industry.

### Easy to Install



Our compact design saves space and can be conveniently installed.

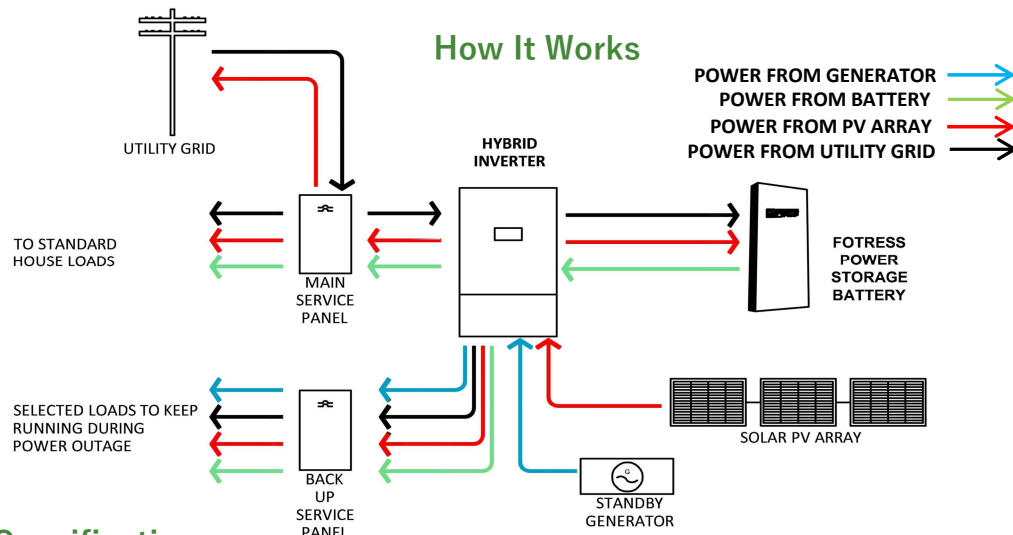
Our High-Performance Fortress Lithium Battery is easy to install, safe, and consistently reliable. It provides the lowest lifetime energy cost for both new solar customers and retrofit customers.

Fortress Lithium Battery has the industry's most advanced technology with a Battery Management System that integrates multilevel safety concepts:

- Overcharge and Deep Discharge Protection
- Voltage and Temperature Observation
- Single Cell Monitoring and Balancing

## Fortress Lithium Battery is Easy to Integrate with Solar or Operate Independently to Provide Your Home Power Day or Night:

- Keep your solar system operating during a power outage
- Use energy stored during daytime for powering your home at night
- Lower your electric bill by avoiding the need to buy electricity at peak times
- Curtail demand charge for your business
- No maintenance and operation costs
- 30% investment tax credit available when used with solar



## Technical Specifications

	LFP-10	LFP-15
Total Energy [kWh]	10.24	15.36
Capacity [Ah]	200	300
Nominal Voltage [V]	51.2 (48)	51.2 (48)
Voltage Range [V]	40-58.4	40-58.4
Max. Charge Current (Continuous) [A]	100	100
Max. Discharge Current (Continuous) [A]	100	100
Max. Pulse Current (for 10 sec) [A]	200	200
Charge temperature [F]	32 to 113	
Discharge temperature [F]	-4 to 140	
Storage temperature [F]	-4 to 131	
Dimension [WxDxH, inch]	16.4x9.4x33	16.6x13.4x33
Weight [lbs]	286	429
Enclosure Protection Rating	IP55	
Mounting options	Floor standing	
Certificates	UL 1642, UN/DOT and RoHS compliant	
Warranty	10 years	
Life cycles	6000	

To learn more about Fortress Power visit [FortressPower.com](https://FortressPower.com) Your Local Dealer:

Phone: 877-49POWER; 877-497 6937

[sales@fortresspower.com](mailto:sales@fortresspower.com)

505 Keystone Rd, Southampton, PA 18966