



High Performance

Large power capacity, with a fast charging and continuous discharge power, creating an 98% round-trip conversion.



Consistent Reliability

The advanced Lithium Ferro Phosphate (LFP) technology operates a wider temperature range to provide the most dependable performance.



Superior Safety

Manufactured at the highest standards. LFP is proven to be one of the safest Lithium technologies in the industry.



Easy to Install

Our compact design saves space and can be conveniently installed.

Our High-Performance Fortress Lithium Battery is easy to install, safe, and consistently reliable. It provides the lowest lifetime energy cost for both new solar customers and retrofit customers.

Fortress Lithium Battery has the industry's most advanced technology with a Battery Management System that integrates multilevel safety concepts:

- Overcharge and Deep Discharge Protection
- Voltage and Temperature Observation
- Cell Monitoring and Balancing
- Built-in accessible 150 Amp DC breaker On/Off switch

Fortress Lithium Battery is Easy to Integrate with Solar or Operate Independently to Provide Your Home Power Day or Night:

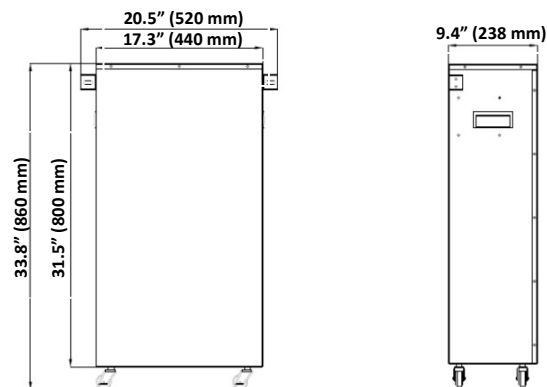
- Keep your solar system operating during a power outage
- Use energy stored during daytime for powering your home at night
- Lower your electric bill by avoiding the need to buy electricity at peak times
- Curtail demand charge for your business
- No maintenance and operation costs
- 30% investment tax credit available when used with solar

Technical Specifications

	LFP-10
Total Energy [kWh]	10.24
Capacity [Ah]	200
Nominal Voltage [V]	51.2 (48)
Voltage Range [V]	44-58.4
Max. Charge Current (Continuous) [A]	80
Max. Discharge Current (Continuous) [A]	100
Max. Plus Current for 5Sec [A]	180
Charge temperature [F/°C]	32 F to 113 F (0 °C to 55°C)
Discharge temperature [F/°C]	32 F to 140 F (0 °C to 65°C)
Recommend Storage temperature [F/°C]	41 F to 113 F (5°C to 55°C)
Dimension [WxDxH, inch/mm]	17.3x9.4x33.8 (440 mm x 238 mm x 860 mm)
Weight [lbs/kg]	210 (95 kg)
Enclosure Protection Rating	IP32 (indoor unit)
Mounting options	Floor standing
Certificates	UL 1642, CE
Warranty	*5/10 years
Life Cycle	6000 @ 80% DoD
Battery Breaker	150 A
Efficiency	>98%
Scalability	Maximum 2 in parallel

**5-year warranty applies outside of the US & Canada*

Dimension (mm/Inch):



To learn more about Fortress Power visit FortressPower.com **Your Local Dealer:**

Phone: 877-49POWER; 877-497 6937

sales@fortresspower.com

505 Keystone Rd, Southampton, PA 18966