

FORTRESS *Power*

eVault Max 18.5 Lithium Battery Storage



EVault MAX 18.5 LITHIUM BATTERY STORAGE

The newest innovative Lithium Iron Phosphate battery from Fortress Power is the eVault Max 18.5 kWh. An all-in-one solution for your residential and commercial needs. Scalable up to 370kWh with a serviceable top cover access to make installation of this battery simple and worry free. The eVault Max is AC/DC coupled to solar arrays and works for many applications that require solar storage, including Off-Grid, Back Up power, self-supply and Peak Charge Reduction just to name a few.

The eVault Max 18.5 is The Largest Single Residential Battery On The Market!

- Safe Lithium Iron Phosphate Technology (LiFePO₄)
- High Durability and Long-Lasting
- Closed Loop Communication with Inverters
- Scalable from 18.5 kWh - 370 kWh
- Intelligent Digital Processor Based BMS
- Advanced cell level monitoring and balancing
- IP55 Aluminum Industrial Grade Enclosure
- Touch screen LCD performance display

Electrical Specifications	
Nominal Voltage	51.2V
Nominal Capacity	360AH
Rated Capacity @ 0.5C (180A)	18.43 kWh
Resistance	<10 mΩ
Communication Protocol	CAN/RS485
Efficiency (at 0.5C)	98%
Self-Discharge	<1 % / Month
Maximum Allowed Modules in Parallel	20

Charge Specifications	
Recommended Charge Current	150A
Maximum Charge Current	180A
Recommended Charge Voltage	54.4V
BMS Charge Voltage Disconnect	>56V

Discharge Specifications	
Recommended Continuous Discharge Rate	150A (7.6 KW)
Peak Continuous Discharge Rate	180A (9.2 KW)
Maximum Surge Power Rate	200A (10.2kW 10S)
Recommended Low Voltage Disconnect	48V
Battery Low Voltage Protection	<46V
Battery Recovery Voltage	47V

Temperature Specifications	
Discharge Temperature	-4°F~140°F (-20°C ~ 60°C)
Charge Temperature	32°F ~ 120°F (0°C ~ 49°C)
Storage Temperature	6 months: 14°F ~ 77°F (-10°C ~ 25°C) 3 months: -4°F ~ 113°F (-20°C ~ 45°C)

Mechanical Specifications	
Dimensions: (L*W*H)	20.3" x 20.3" x 42.2" (515 x 515 x 1073mm)
Weight	520 lbs (235.87 kg)
Terminal Type	M10
Ring Terminal Size	1/2" or larger
Terminal Torque	7.0 - 7.7 Nm (5.1 - 5.7 ft - lb)
Case Material	Industrial Grade Aluminum
Enclosure Protection	IP55
Cell Type Chemistry	Prismatic - LiFePO ₄

Compliance Specifications:	
Certifications	UL1642, UL1973, UL9540
Shipping Classification	UN 38.3. UN 3480, Class 9

Basic Charging Profile	
Bulk + Absorb Charge	54.4V
Absorb Time	60 Minutes
Float Charge	54V
Inverter Charging	2 Stage / No Float
Equalization	No equalization (typical) 54.6V for 10 seconds (rare)
Temperature Compensation	None



UL1642, UL1973, UL9540

www.FortressPower.com

Sales@FortressPower.com • 877-497-6937 • 505 Keystone Road, Southampton, PA 18966, USA

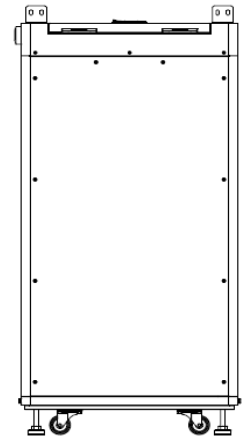
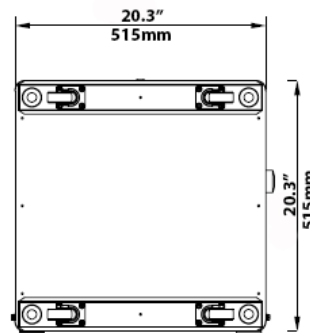
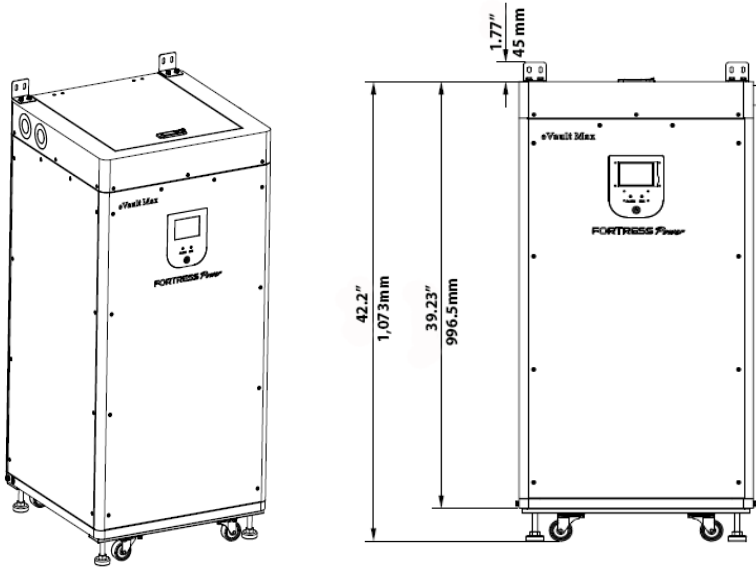
ABOUT FORTRESS POWER

Fortress Power proudly services homes, businesses, utilities, telecom and transportation companies worldwide. Our Pennsylvania-based team's passion for clean energy storage has earned us a place among the world's top energy storage battery manufacturers.

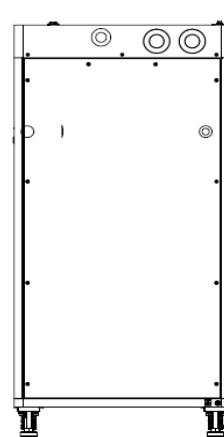
Our logistics centers located across the country offer easy distribution to all of our major markets. Fortress Power's high-performance solar lithium battery storage products are designed, engineered and inventoried along with live technical support in the United States.

Fortress Power has partnered with industry leading lending institutions to help make your solar investment as easy as possible.

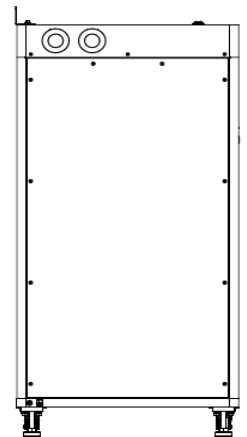
Please visit our website for purchasing and financing options.
www.fortresspower.com



back view



side view



INTERESTED IN BECOMING A CERTIFIED INSTALLER?

Join us to bring the latest energy storages to millions of homes and businesses across the world.



SCAN ME

www.FortressPower.com

Sales@FortressPower.com · 877-497-6937 · 505 Keystone Road, Southampton, PA 18966, USA