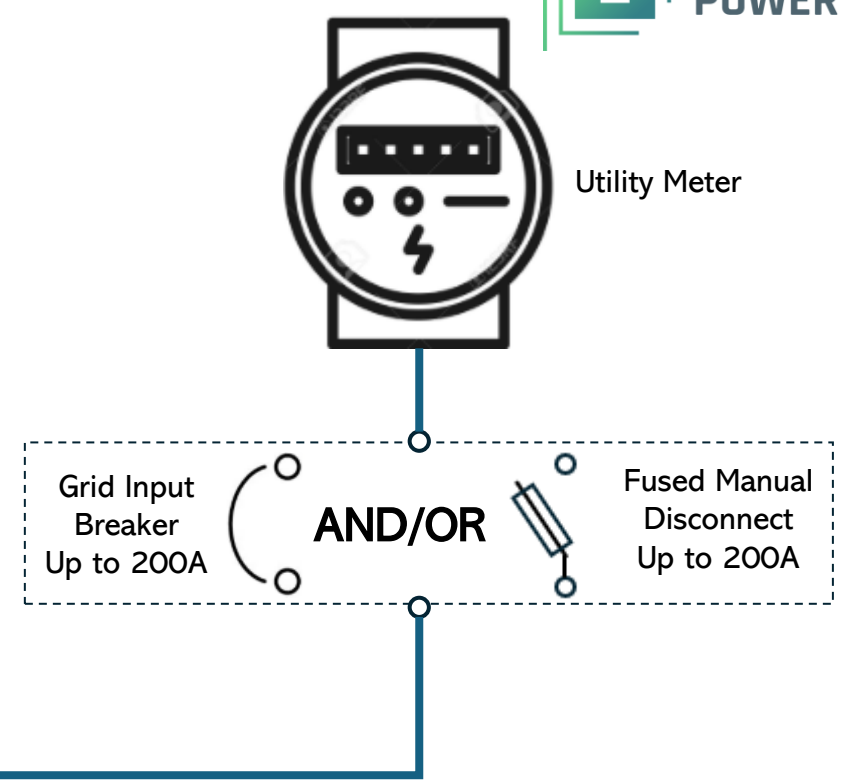
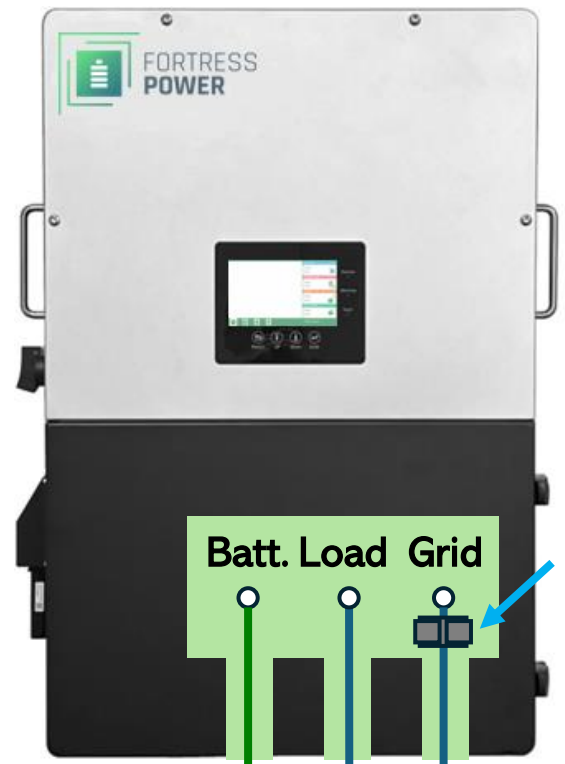
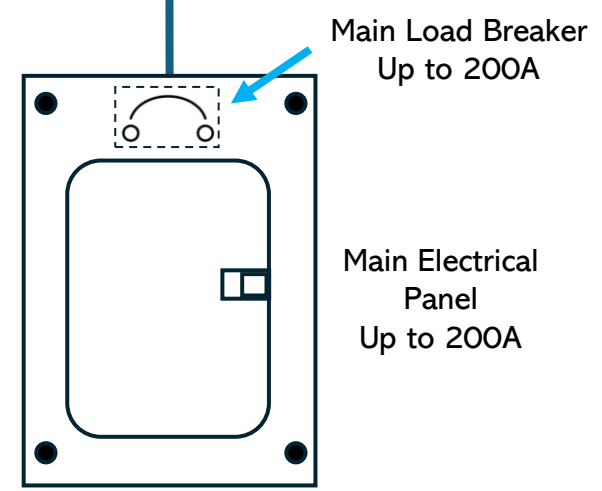


- 12kW – 1x Envy True12 (with 200A Passthrough)
- 28.8kWh – 3x eForce 9.6kWh Battery
- 1x eWay wire management unit



Min. 3/0
OR
min. a pair of 1/0
per polarity
for up to 10ft



- **Proper installation practices must always be followed**
- **An installation must satisfy all relevant code and AHJ requirements**